

SAINT Front Disc Brake

BR-M820 Brake Caliper

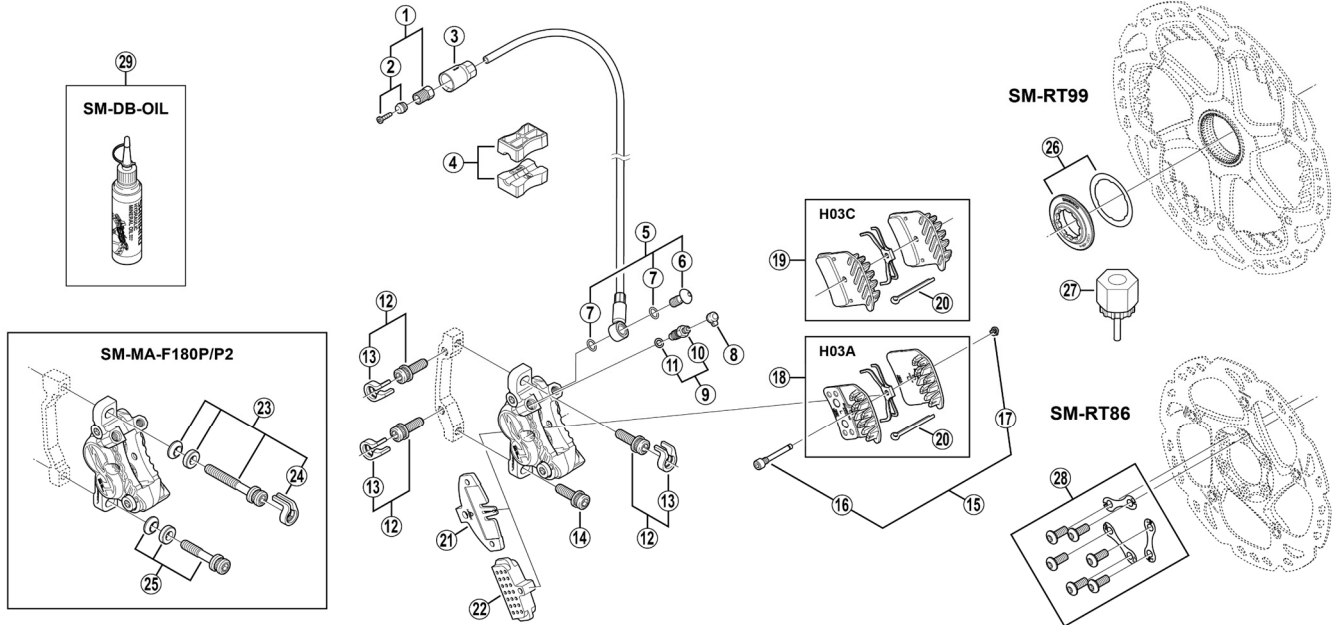
SM-BH90-SBLS Brake Hose

SM-RT99 Disc Rotor/Center Lock

Disc Rotor/Center Lock

SM-RT86 Disc Rotor/6-Bolt

Disc Rotor/6-Bolt



ITEM NO.	SHIMANO CODE NO.	DESCRIPTION	INTERCHANGEABILITY	
			BR-M810	BR-M640
1	Y8JA98010	Flare nut unit		A
2	Y8JA98020	Olive and connector insert		A
3	Y8JA07000	Cover		A
4	Y8H198030	TL-BH61 Shimano original tool (2 pcs.)	A	A
5	Y8H098010	Banjo screw and O-ring	A	A
6	Y8H001500	Banjo screw	A	A
7	Y8SY28000	O-ring	A	A
8	Y8B214000	Bleed nipple cap	A	A
9	Y8CL98050	Bleed nipple and seal ring	A	A
* 10	Y8CL24200	Bleed nipple	A	A
11	Y8B511001	O-ring for bleed nipple	A	A
12	Y8DS98010	Caliper fixing screw (M6 x 18.7) and snap ring	A	A
13	Y8C511000	Snap ring	A	A
14	Y8C509020	Caliper fixing screw (M6 x 18.7)	A	A
15	Y8JZ98010	Pad axle and snap retainer	A	B
16	Y8JZ05000	Pad axle	A	B
17	Y8J716000	Snap retainer	A	B
* 18	EBPH03ARFA	H03A Resin pad with fin and spring with split pin (pair)		
* 18	Y1XM98020			
* 19	IBPH03CMFA	H03C Metal pad with fin and spring with split pin (pair)		B
	Y8VT98020			
20	Y8DB06100	Split pin		A
21	Y8FF18000	Pad spacer	A	A
22	Y8FF19000	Bleeding spacer	A	A
* 23	Y2RT98020	Caliper fixing screw unit (M6 x 37.9)	A	A
* 24	Y2RT07000	Snap ring	A	A
25	Y8G498030	Caliper fixing screw unit (M6 x 32.1)	A	A
26	Y8K198010	Lock ring and washer	A	A
27	Y12009230	TL-LR15 Lock ring removal tool	A	A
28	Y8J298020	Rotor fixing screw and lock washer		
* 29	Y83998020	Mineral oil (100 ml)	A	A
* 29	Y83998030	Mineral oil (500 ml)	A	A

A: Same parts.

B: Parts are usable, but differ in materials, appearance, finish, size, etc.

Absence of mark indicates non-interchangeability.

Specifications are subject to change without notice.

Jul.-2022-3383B

© Shimano Inc. I

SHIMANO